

**sikla**



**siMetrix**

**THE INNOVATIVE ASSEMBLY  
SYSTEM BY SIKLA.**





# FAST. FLEXIBLE. MODULAR.



Introducing siMetrix by Sikla: the ultimate solution for planning and assembling steel frames.

With the innovative 1-2-3 principle, siMetrix seamlessly integrates with existing infrastructures and Sikla products, providing unparalleled flexibility in your planning tools. Experience the future of construction with siMetrix.

Discover [siMetrix!](#)







# ENGINEERING EXCELLENCE

siMetrix - the missing link!

Modular and flexible due to identical geometries on all faces

Quick installation thanks to an innovative click system and One-Screw Technology

Modular connections to existing Sikla systems such as Pressix 27/41 CC and the siFramo 80/100

Compatible with existing primary building structures such as walls, ceilings and traditional steel beam

The compact design allows for space-saving configurations



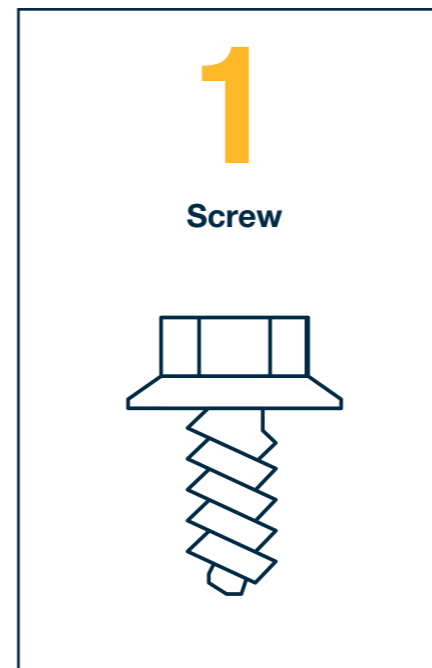
 More accessories and solutions available



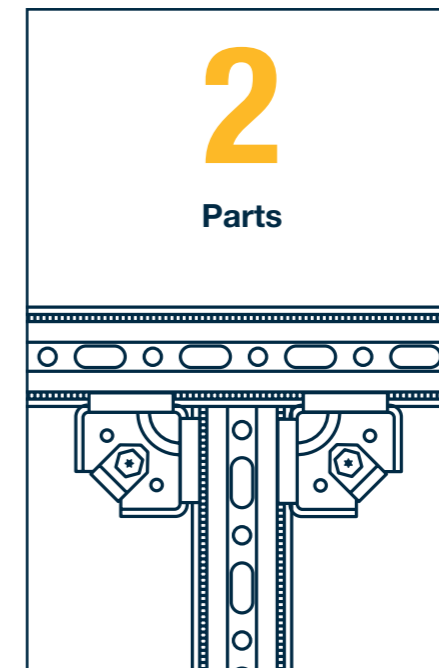
# THE INNOVATIVE 1-2-3 PRINCIPLE

Planning has never been simpler!

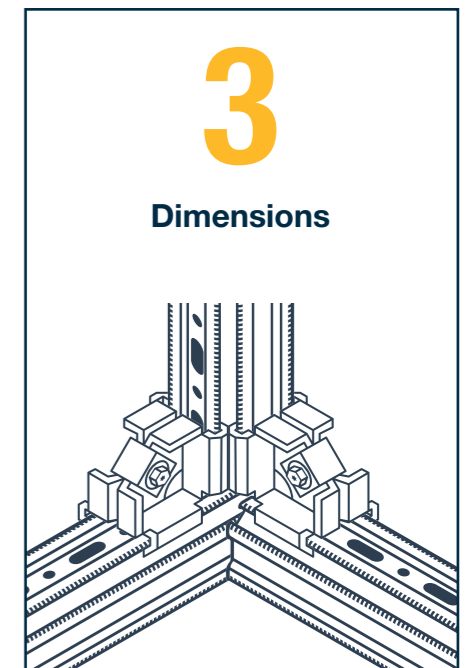
This system offers flexibility for complex, three-dimensional structures by connecting all components with one screw only. The newly developed and patented system with One-Screw Technology.



The same type of screw for any frame



Two central parts allow for endless possibilities



Complex, modular constructions, easy to assemble



# INTEGRATED PROJECT PLANNING!

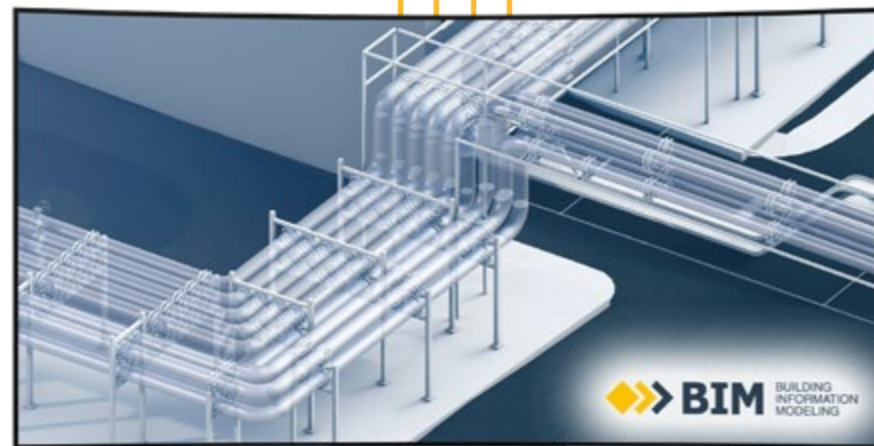
siMetrix from planning to completion!

Now available on all SiCAD4 software tools to optimise BIM projects

Simplified planning thanks to fewer parts, modular components for seamless connectivity

Reduce time and cost with effective planning

Available on Sikla CAD libraries



Compatible with:

SiCAD 4 E3D

SiCAD 4 Plant3D

SiCAD 4 S3D

SiCAD 4 REVIT

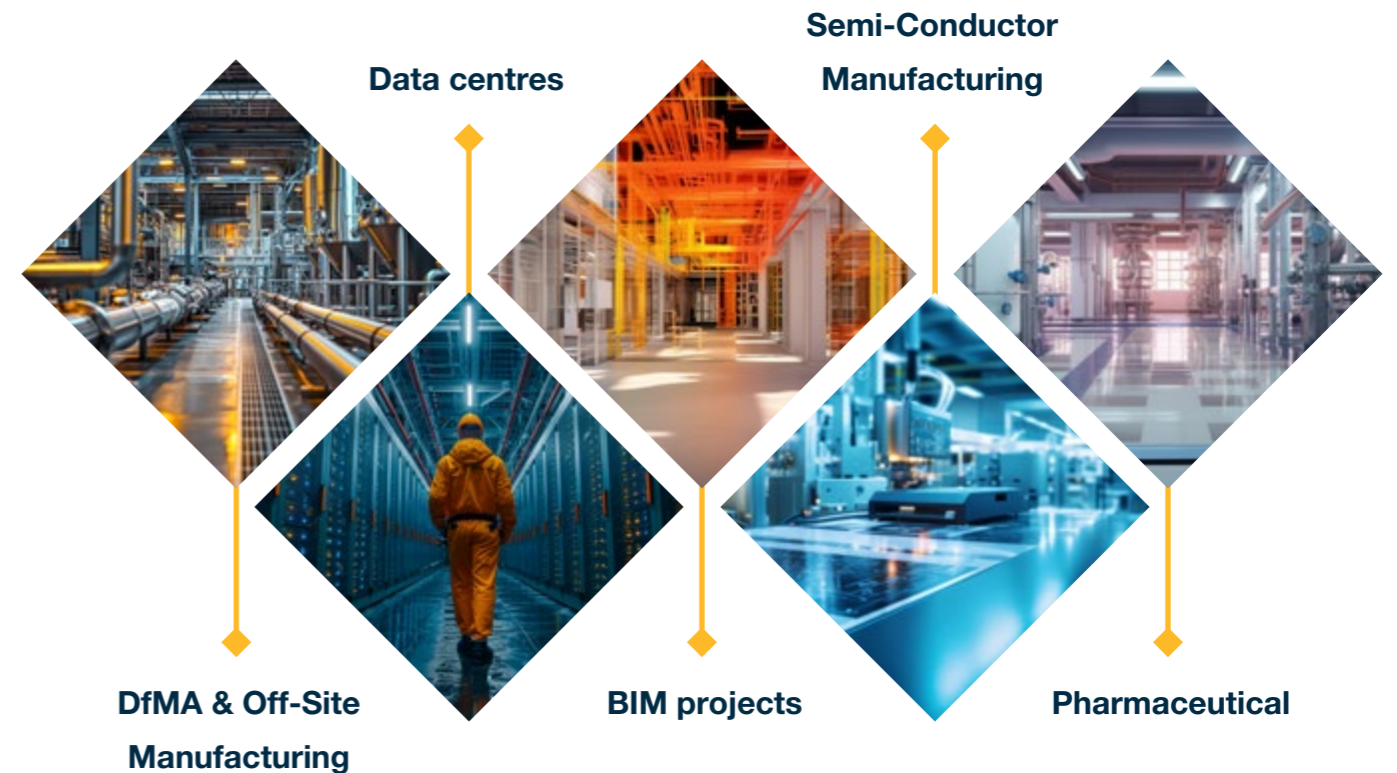


# COUNTLESS APPLICATIONS

It doesn't get more modular than this!

siMetrix is suitable for a wide range of applications thanks to its modularity, innovative One-Screw Technology and identical geometry on all faces. **An innovative concept and easy to use throughout many kinds of projects.**

For example:



ARE YOU READY FOR THE DESIGN REVOLUTION?

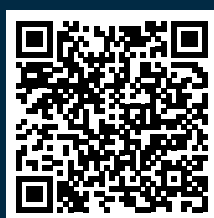
Get to know the world of siMetrix! You can find more information on our website at [sikla.com/simetrix/en](http://sikla.com/simetrix/en)





# Ready for **siMetrix?**

**THEN CONTACT US!**



**sikla** Together we build.  
siklaproof.

Sikla UK Ltd  
3 Newmarket Court  
Milton Keynes MK10 0AG  
+44 (0) 1908 281 052  
miltonkeynes@sikla.co.uk  
[sikla.co.uk](http://sikla.co.uk)

Sikla UK Ltd (NI & IRE)  
19 Heron Rd, D3 Quay Point  
Belfast BT3 9LE  
+44 (0) 28 959 24783  
belfast@sikla.co.uk | dublin@sikla.ie  
[sikla.ie](http://sikla.ie)